

# **MACHINE PARTS CHART** **for**

# **SINGER**

## **20U 31 / 33**

THE SINGER COMPANY

NUMERICAL LIST OF PARTS 20U31.33 M/Cs

PART NO.	DESCRIPTION	PART NO.	DESCRIPTION
691-845	Throat Plate Screw (2)	504007	Bight Amplitude Slide Block Crank Shaft Bushing
2102	Tension Disc (2)		Collar Set Screw (2)
15287-702	Bobbin Winder Friction Ring	504007	Thread Retainer Set Screw
32618	Clamp Stop Motion Clamp Flanged Bushing	504019	Oil Reservoir Plate Set Screw (back)
32758	Thread Take-up Spring	504027	Needle Clamp Thumb Screw
52016	Presser Bar Lifter	504028	Arm Shaft (horizontal) Worm Gear Set Screw (2)
52024	Thread Take-up Lever Link	504028	Presser Bar Lifter Pin Set Screw
52130	Thread Take-up Lever Thread Eyelet Bushing	504028	Presser Bar Guide Bracket Set Screw
55623	Rotating Hook Bobbin	504047	Tension Stud Set Screw
56024	Feed Connecting Link	504057	Needle Bar Connecting Link Cap Screw
56046	Presser Bar Spring	504063-451	Presser Foot Screw
154756	Clamp Stop Motion Clamp Stop Screw	504063-451	Needle Bar Connecting Link Guide Screw (2)
154759	Feed Connecting Link Hinge Screw (2)	504063-451	Rotating Hook Shaft Bevel Gear Cover Screw
154759	Feed Forked Connection Hinge Screw	504063-451	Thread Guard (upper) Set Screw
154759	Feed Lifting Rock Shaft Crank Connecting Rod Hinge Screw	504063-451	Face Plate Screw (2)
154785-451	Bed Plate Bracket Screw (2)	504063-451	Oil Reservoir Set Screw (2)
154789-451	Bed Slide Spring Screw (2)	504066	Arm Shaft (horizontal) Bevel Gear Set Screw (2)
154884	Bed Slide Spring	504067	Clamp Stop Motion Clamp Flanged Bushing Set Screw
154981	Feed Connecting Link Hinge Screw Nut (2)	504068	Feed Bar Screw Center (2)
154981	Feed Forked Connection Hinge Screw Nut	504069	Feed and Feed Lifting Eccentric Position Screw
154981	Feed Lifting Rock Shaft Crank Connecting Rod Hinge Screw Nut	504070	Feed and Feed Lifting Eccentric Set Screw
281817	Feed Reverse Lever Link with 549028	504071	Feed Lifting Rock Shaft Crank Connecting Rod Cap Screw (2)
281820	Feed Regulator with 545136-452	504072	Feed Lifting Rock Shaft Screw Center (2)
368026	Bobbin Winder Regulator with 544208-005	504072	Feed Rock Shaft Screw Center (2)
368386	Rotating Hook Drive Shaft Retainer Collar with two 504102	504074	Feed Regulating Stud Head Cap Screw
374507	Tension Releasing Lever Hinge Screw	504084	Bight Amplitude Stop Plate (left) (right) Screw (2)
374508	Feed Lifting Rock Shaft Screw Center Nut (2)	504084	Rotating Hook Bobbin Case Holder Position Bracket Screw
374508	Feed Rock Shaft Screw Center Nut (2)	504086	Rotating Hook Bobbin Case Tension Regulating Screw
376424	Presser Regulating Thumb Screw Nut	504087	Rotating Hook Bobbin Case Tension Spring Screw
408074	Bobbin Winder Bracket Regulating Plate Spring	504088	Rotating Hook Section Screw (3)
408274	Bobbin Winder Latch Stud Ring	504090	Rotating Hook Thread Guard Screw (4)
410004-453	Face Plate with 546701	504091	Needle Bar Set Screw
410006-453	Arm Side Cover	504095	Thread Take-up Crank Position Screw
410007	Thread Take-up Lever Guard	504099	Bell Crank Bracket Screw (2)
410008-453	Arm Top Cover Complete, Nos. 15287-702, 408074, 408274, 410009-453, 410010, 544203-002, 544233, 546846, 546847, 546848, 546850, 546865, 546895 and 547242	504099	Feed Reverse Lever Return Spring Bracket Screw
410009-453	Arm Top Cover	504101	Arm Shaft (upright) Bevel Gear (lower) Set Screw (2)
410010	Bobbin Winder Bracket Complete	504101	Arm Shaft (upright) Bevel Gear (upper) Set Screw (2)
410014	Needle Bar Connecting Link	504101	Rotating Hook Drive Shaft Bevel Gear (back) Set Screw (2)
410015	Tension Releasing Lever	504101	Rotating Hook Drive Shaft Bevel Gear (front) Set Screw (2)
410021	Rotating Hook	504101	Rotating Hook Shaft Bevel Gear Set Screw (2)
410026	Rotating Hook Bobbin Case Latch	504101	Thread Take-up Crank Set Screw
410027	Rotating Hook Bobbin Case Latch Lever	504102	Rotating Hook Shaft Retainer Collar Screw (2)
410028	Feed Reverse Lever Complete, Nos. 410029, 410030 and 545047	504120	Needle Bar Crank Position Screw
410029	Feed Reverse Lever	504133	Arm Shaft (horizontal) Flanged Bushing (front) Set Screw
410030	Feed Reverse Lever Hinge Stud	504134	Needle Bar Frame Pin Set Screw
410031	Zig-Zag Triangular Cam Gear and Zig-Zag Triangular Cam Complete	504134	Rotating Hook Shaft Bushing (short) Set Screw
410033	Zig-Zag Triangular Cam Shaft Collar with two 544204-001	504134	Rotating Hook Shaft Bushing (long) Set Screw
410035	Zig-Zag Triangular Cam Shaft Complete, Nos. 410036 and 505513	504145	Bight and L-C-R Position Lever Set Screw (2)
410036	Zig-Zag Triangular Cam Shaft	504502	Feed Bar Screw Center Nut (2)
410037	Lifting Lever	504507	Bight and L-C-R Position Lever Thumb Stud Nut
410038	Lifting Lever Connecting Rod	504751	Feed Lifting Rock Shaft Roller and Stud
410039	Bight Amplitude Slide Block Crank Knee Operating Connection	505001	Arm Dowel Pin (2)
410040	Bell Crank Complete	505009	Clamp Stop Motion Clamp Washer
410044	Oil Reservoir Complete, Nos. 410045, 410046, 410047, 410048 two each 542020, 543805-003 and 545092	505322	Feed Forked Connection
410045	Oil Reservoir	505326	Feed Lifting Rock Shaft Crank with 504019
410046	Oil Reservoir Felt	505327	Feed Lifting Rock Shaft Crank Connecting Rod with two 504071
410047	Oil Reservoir Oil Wick	505328	Feed Lifting Rock Shaft Crank Connecting Rod Cap Oil Pad (felt)
410048	Oil Reservoir Plate	505335	Feed Rock Shaft Crank with 504019
410140-001	Rotating Hook 410141 with 541977	505339	Needle Bar Crank with 504095, 504101 and 504120
410141	Rotating Hook Complete, Nos. 410021, 541694, 541765, three 504088 and four 504090	505356	Rotating Hook Bobbin Case Latch Spring
410142	Thread Guide Pin	505372	Thread Take-up Lever Link Hinge Pin
410143	Thread Retainer	505407	Feed Bar Screw Center 504068 with 504502 (2)
413486	Presser Regulating Thumb Screw Complete	505408	Feed Lifting Rock Shaft Screw Center 504072 with 504504 (2)
413487	Presser Regulating Thumb Screw	505513	Feed Rock Shaft Screw Center 504072 with 504504 (2)
413489	Rotating Hook Bobbin Case Complete, Nos. 410026, 410027, 413490 and 505356	5040435	Zig-Zag Triangular Cam Shaft Oil Wick
413490	Rotating Hook Bobbin Case with 504086, 504087 and 540767	540472	Feed Regulating Stud Lock Pin
413493	Feed and Feed Lifting Eccentric with 504069 and 504070	540682	Thread Guard (upper)
415763-452	Clamp Stop Motion Clamp Screw	540767	Tension Spring
504002	Rotating Hook Drive Shaft Bushing (back) Set Screw	541170	Rotating Hook Bobbin Case Tension Spring
504002	Rotating Hook Drive Shaft Bushing (front) Set Screw	541566	Bobbin Winder Tension Nut
504002	Thread Take-up Lever Link Hinge Pin Set Screw	541605	Presser Foot (spring hinged) Complete
504002	Thread Take-up Spring Regulator Set Screw	541606	Arm Shaft (horizontal)
504002	Zig-Zag Triangular Cam Shaft Set Screw	541607	Arm Shaft (horizontal) Bevel Gear with two 504066
		541607	Arm Shaft (horizontal) Worm Gear with two 504028
		541608	Arm Shaft (upright)
		541609	Arm Shaft (upright) Bevel Gear (lower) with two 504101

From the library of Pfaff and Needle Corp.

## LIST OF PARTS 20U31 33 M.Cs

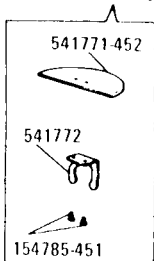
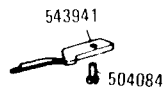
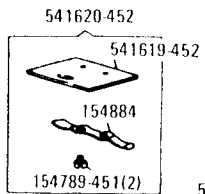
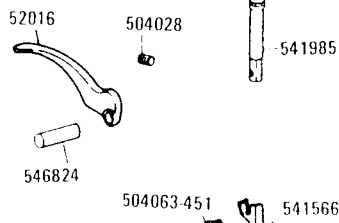
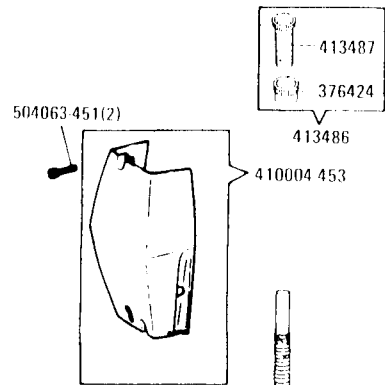
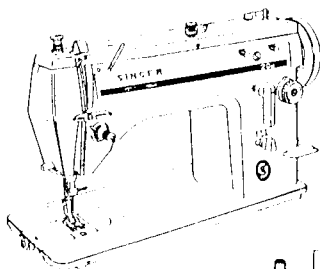
PART NO.	DESCRIPTION	PART NO.	DESCRIPTION
541610	Arm Shaft (upright) Bevel Gear (upper) with two 504101	541946	Bight Amplitude Regulating Plate Holder
541619-452	Bed Slide	541951	Bight and L-C-R Position Lever Thumb Stud
541620-452	Bed Slide Complete, Nos. 154884, 541619-452 and two 154789-451	541957	Tension Complete, Nos. 32758, 540682, 541702, 545893, 545899-451, 546927 and two 2102
541623	Bight and L-C-R Position Lever Complete, Nos. 545143 and 549285	541967	Bight Amplitude Slide Block Crank with two 549181
541630	Bight Amplitude Regulating Plate Spring	541977	Rotating Hook Bobbin Case Holder
541631	Bight Amplitude Slide Block	541985	Presser Bar (hollow)
541634	Bight Amplitude Slide Block Crank Link	541991	Bight Amplitude Slide Block Crank Shaft Knob
541636	Bight Amplitude Slide Block Crank Shaft Bushing	542020	Oil Reservoir Set Screw Washer (2)
541637	Bight Amplitude Slide Block Crank Shaft Bushing Collar with two 504007	543805-003	Oil Reservoir Set Screw Spring Lock Washer (2)
541639	Bight Amplitude Slide Block Crank Spring	543866-022	Feed and Feed Lifting Eccentric Retaining Ring
541641	Bight Amplitude Slide Block Guide with 545098	543935	Needle Bar Connecting Link 410014 with 543937
541642	Bight Amplitude Slide Block Guide Stud	543937	Needle Bar Connecting Stud Complete, Nos. 504091, 541664, 541665 and 545001
541646	Feed Bar	543941	Rotating Hook Bobbin Case Holder Position Bracket
541647	Feed Dog	543953	Thread Take-up Complete, Nos. 504057, 505372, 541707, 541709 and 543935
541652	Feed Regulator Hinge Stud	543971	Feed Lifting Rock Shaft with 504751
541657	Needle Bar (hollow)	543972	Feed Lifting Rock Shaft Complete, Nos. 505326 and 543971
541664	Needle Bar Connecting Stud Hinge Pin	544054	Arm Screw (4)
541665	Needle Bar Connecting Stud Hinge Pin Washer	544151	Oil Reservoir Plate Set Screw (front)
541667	Needle Clamp	544203-002	Bobbin Winder Tension Set Screw
541683	Rotating Hook Drive Shaft	544204-001	Zig-Zag Triangular Cam Shaft Collar Set Screw (2)
541684	Rotating Hook Drive Shaft Bevel Gear (back) with two 504101	544208-005	Bobbin Winder Regulator Set Screw
541685	Rotating Hook Drive Shaft Bevel Gear (front) with two 504101	544211-053	Bobbin Winder Latch Screw
541686	Rotating Hook Drive Shaft Bushing (back)	544212-052	Arm Side Cover Set Screw (4)
541688	Rotating Hook Shaft	544217-052	Thread Take-up Lever Guard Set Screw
541689	Rotating Hook Shaft Bevel Gear with two 504101	544233	Bobbin Winder Bracket Hinge Screw
541690	Rotating Hook Shaft Bevel Gear Cover	544255	Feed Regulating Stud
541692	Rotating Hook Shaft Bushing (short)	545001	Needle Bar Connecting Stud Hinge Pin Screw
541693	Rotating Hook Shaft Retainer Collar with two 504007	545043	Feed Lifting Rock Shaft Crank Clamping Screw
541694	Rotating Hook Thread Guard	545047	Feed Rock Shaft Crank Clamping Screw
541695	Set of Gears (lower, back) Nos. 541609 and 541684	545059	Feed Reverse Lever Hinge Stud Cap Screw
541696	Set of Gears (lower, front) Nos. 541685 and 541689	545092	Arm Top Cover Screw (back)
541697	Set of Gears (upper) Nos. 541606 and 541610	545098	Bight and L-C-R Position Block Set Screw (2)
541701	Tension Releasing Lever Spring	545136-452	Bight Amplitude Slide Block Guide Stud Set Screw
541702	Tension Releasing Pin	545189-051	Feed Regulator Hinge Stud Set Screw
541707	Thread Take-up Crank	545218	Needle Clamp Thread Guard Set Screw
541708	Thread Take-up Lever with 52130	545354	Arm Top Cover Screw (front)
541709	Thread Take-up Lever Complete, Nos. 52024 and 541708	545404-451	Bight Amplitude Slide Block Cap Screw
541711	Zig-Zag Stitch Regulator Fork	545413	Tension Regulating Thumb Nut (2)
541712	Zig-Zag Stitch Regulator Fork Eccentric Connection Pin	545495	Bight and L-C-R Position Lever Screw Pin Nut
541749	Bight Amplitude Slide Block Crank Shaft Bushing Washer	545766	Bight and L-C-R Position Lever Arm Regulating Screw Nut (2)
541751	Feed Forked Connection 505322 with 56024, 541651, two 154759 and two 154981	545767	Arm Shaft (upright) Bushing (lower)
541753	Arm Shaft (horizontal) and Needle Bar Crank Complete, Nos. 505339 and 541605	545820	Arm Shaft (upright) Bushing (upper)
541756	Bight Amplitude Slide Block Guide 541641 with 541631	545893	Feed Regulating Stud Lock Pin Spring
541759	Needle Bar Frame Clamping Stud	545898	Tension Releasing Disc
541765	Rotating Hook Section	545899-451	Tension Stud
541770	Needle Bar Timing Indicator Plate	546784	Tension Stud 545898 with two 545404-451
541771-452	Bed Plate	546784	Feed Rock Shaft
541772	Bed Plate Bracket	546822	Presser Bar Guide Bracket with 154780
541773-452	Bed Plate Complete, Nos. 541771-452 with 541772 and two 154785-451	546824	Presser Bar Lifter Pin
541775	Feed Reverse Lever Return Spring	546826	Handwheel (for Motor Drive)
541779	Feed Reverse Lever Return Spring Bracket (hook)	546827	Handwheel (for Treadle Operation)
541787	Needle Clamp Thread Guard	546828	Presser Bar Lifting and Releasing Lever Bracket
541788	Needle Clamp Complete, Nos. 504027, 545180, 541667 and 541787	546831	Lifting Lever Connecting Rod Pin (2)
541789	Bight Amplitude Regulating Plate Holder and Bight Amplitude Regulating Plate Complete, Nos. 541630, 541912, 541913 and 541946	546831	Bight Amplitude Slide Block Crank Knee Operating Connection Pin
541909	Bight and L-C-R Position Block	546846	Bobbin Winder Bracket Regulating Plate
541910	Bight and L-C-R Position Lever Arm	546847	Bobbin Winder Bracket Spring
541912	Bight Amplitude Regulating Plate (left)	546848	Bobbin Winder Latch with 544211-053
541913	Bight Amplitude Regulating Plate (right)	546850	Bobbin Winder Latch Stud
541916	Bight Amplitude Stop Plate (left) (right) (2)	546881-451	Feed Regulating Stud Head
541921	Needle Bar Frame	546882	Feed Regulating Stud Head Plate
541922	Needle Bar Frame Pin	546883	Feed Regulating Stud Head Plate Retainer
541923	Rotating Hook Drive Shaft Bushing (front)	546895	Bobbin Winder Bracket Regulating Plate Spring Stud
541924	Rotating Hook Shaft Bushing (long)	546919	Arm Shaft (horizontal) Flanged Bushing (front)
541927	Needle Bar Connecting Link Guide	546927	Thread Take-up Spring Regulator with 504047
541928	Bight Amplitude Slide Block Crank 541967 with 541634, 541642, 541756, 541910 and two 549288	546932	Arm Shaft (horizontal) Flanged Bushing (back)
541929	Needle Bar (hollow) 541657 with 541933	547242	Bobbin Winder Tension Complete, Nos. 541170, 547243, 547246 and two 547247
541933	Needle Bar Frame 541921 with 541770, 549290 and two 549336	547243	Bobbin Winder Tension Stud Complete
541936-452	Throat Plate	547246	Bobbin Winder Tension Spring
		547247	Bobbin Winder Tension Disc (2)
		547248	Feed Rock Shaft and Feed Rock Shaft Crank Complete, Nos. 505335 and 546950
		547671	Bight and L-C-R Position Lever Thumb Stud Nut Spring Washer
		548061	Bight Amplitude Stop Plate (left) (right) Washer (2)
		549028	Feed Reverse Lever Link Clamping Screw
		549152	Arm Shaft (horizontal) Flanged Bushing (back) Set Screw
		549181	Bight Amplitude Slide Block Crank Set Screw (2)
		549285	Bight and L-C-R Position Lever Screw Pin
		549288	Bight Amplitude Slide Block Crank Link Hinge Screw (2)

NUMERICAL LIST OF PARTS 20U31/33 M/Cs

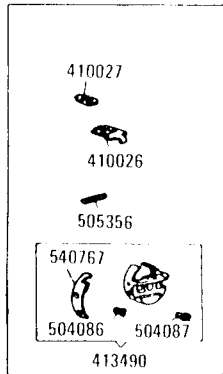
PART NO.	DESCRIPTION	PART NO.	DESCRIPTION
549290	Zig-Zag Stitch Regulator Fork Eccentric Connection Pin Set Screw		ACCESSORIES AND ATTACHMENTS (Supplied with Machine)
549336	Needle Bar Timing Indicator Plate Screw (2)		
549354	Needle Bar Frame Clamping Stud Screw		
549356	Bight Amplitude Regulating Plate Holder Set Screw (2)	55623	Rotating Hook Bobbin (4)
549376	Feed Dog Screw (2)	410112	Presser Foot (spring hinged) Complete (for straight stitching)
549385	Bight Amplitude Regulating Plate Thumb Screw (2)	410192	Hemmer Foot (1/8 hem) (purchased part)
549387	Bight and L-C-R Position Lever Arm Regulating Screw (2)	413448-001	Oiler (80cc, filled with type "B" oil)
549389	Lifting Lever Hinge Screw	413448-002	Oiler (80cc, filled with type "C" oil)
549397	Rotating Hook Set Screw (2)	504030	Cloth Guide Screw (purchased part)
549426	Bight and L-C-R Position Block Washer (2)	541514	Screw Driver (small)
CAT.1910-05	Needle (size =14)	541515-001	Cloth Guide (purchased part)
		541558	Screw Driver (large)
		541561	Screw Driver (for throat plate)
		541734	Feed Dog (for straight stitching)
		541736-001	Zipper Foot (purchased part)
		541781	Presser Foot (spring hinged) Complete (for buttonholing)
		541937-452	Throat Plate (for straight stitching)
			THREAD UNWINDER (FOR TWO SPOOLS)
			(Supplied with Machine)
		505656-005	Thread Unwinder (for two spools) Complete
		543131	Thread Unwinder Spool Net (2)
		546894	Thread Unwinder Spool Cap (2)

# SINGER

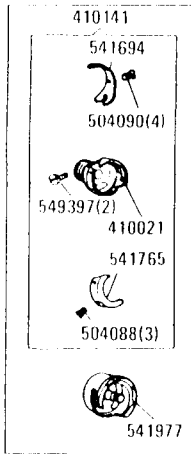
## 20U 31 / 33



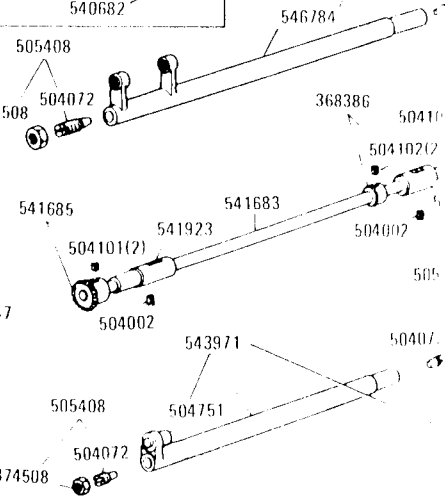
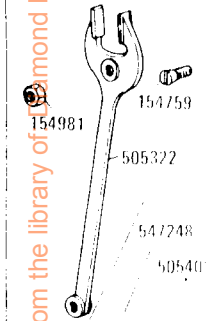
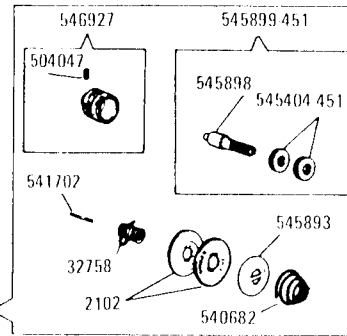
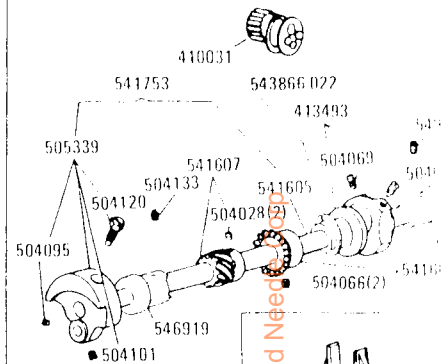
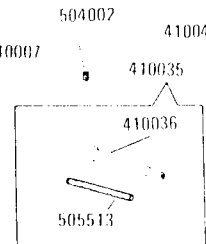
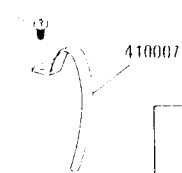
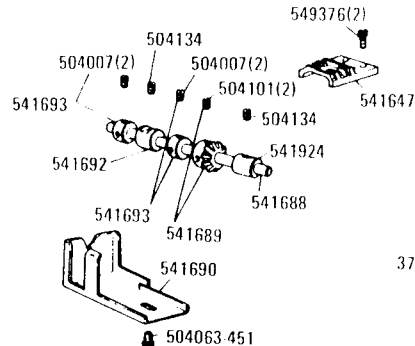
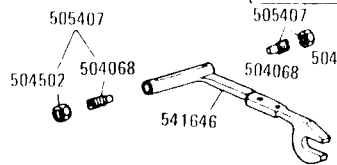
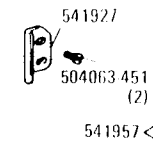
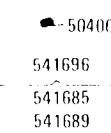
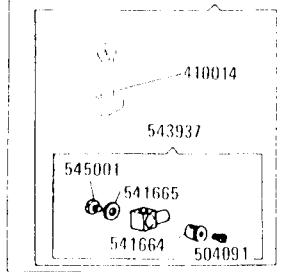
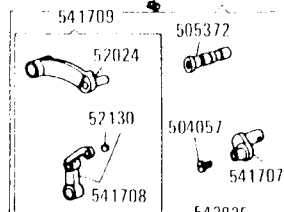
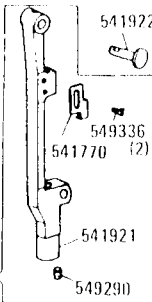
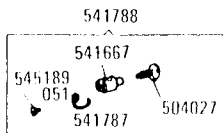
55623



413489

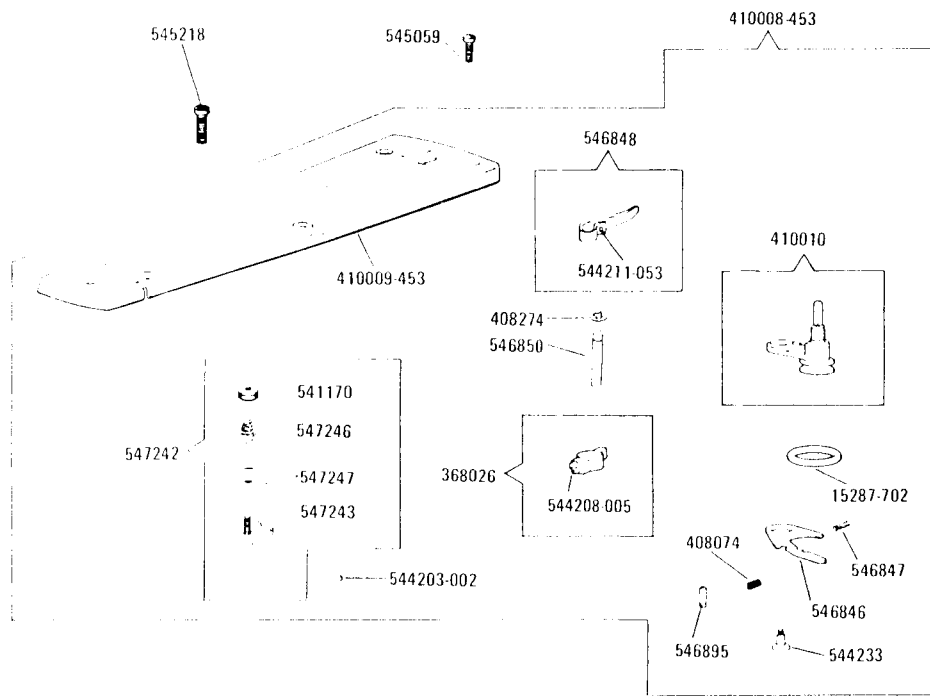


410140-001

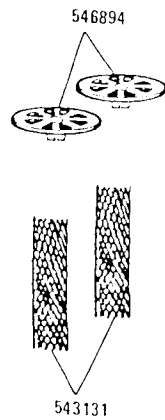
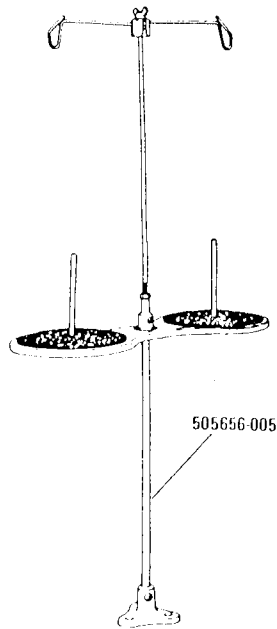


From the library of Diamond Needle

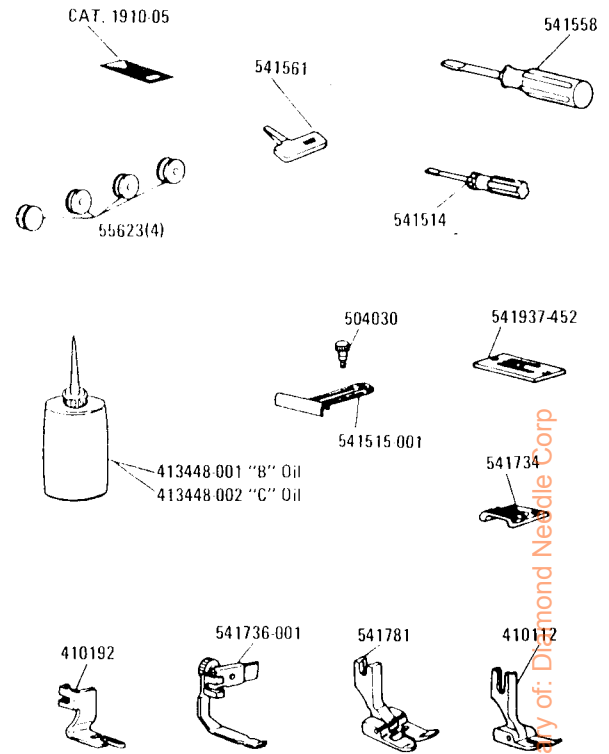




THREAD UNWINDER (FOR TWO SPOOLS)



ACCESSORIES AND ATTACHMENTS



From the library of: Diamond Needle Corp